

NSL 475 X

75cm 4 Burner Life Slimline Gas Cooktop

4 burner gas cooktop including:

- Dual Burner
- Instant Automatic Ignition
- Simmer Control for low heat cooking
- Heavy-Duty cast iron trivets
- Flame Failure safety cut-off on all burners
- Recessed base to catch spills
- Stainless steel slimline design
- Suitable for LPG or Nat Gas (Conversion kit included)



Cast Iron Trivets

Cast iron pan supports provide stability for pots and pans. They are easy to clean and long lasting, providing a professional look for years to come

Instant Ignition

With just the push of the knob, an electronic device causes a continuous series of sparks to quickly and easily ignite the selected burner.

Dual Burner

Independent burner operation allows you use the burners either separately or together for greater control and cooking flexibility

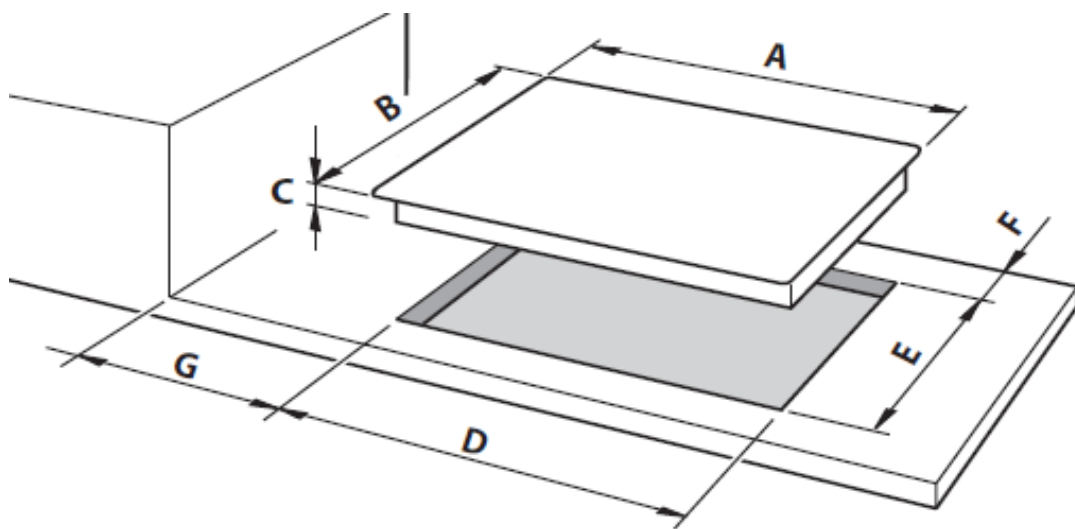
TECHNICAL SPECIFICATIONS

Product Dimensions (H x W x D)	mm	75 x 750 x 510
Front Middle Auxiliary Burner – LPG / Nat Gas	MJ/h	4.2/4.2
Rear Middle Semi-Rapid Burner - LPG / Nat Gas	MJ/h	6.20/6.60
Right Double Ring Crown – LPG/Nat Gas	MJ/h	14.10/13.70
Left Dual Burner – LPG/Nat Gas Inner	MJ/h	2.10/2.40
Left Dual Burner – LPG/Nat Gas Outer	MJ/h	11.40/13.80
Total Gas Consumption	MJ/h	38.0/40.7
Warranty		2 years

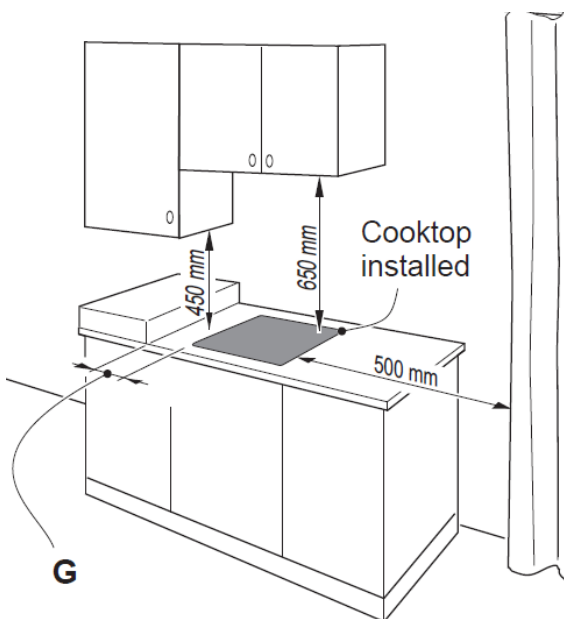


NSL 475 X

60cm 4 Burner Life Slimline Gas Cooktop



Description	Measures (mm)						
	A	B	C	D	E	F (minimum)	G (minimum)
Model NSL 475 X	750	510	49 (*)	560	480	60 (**)	200 (***)



The product dimensions and specifications on this page apply to the specific model at the time of issue
 Dimensions & specifications may change at any time.



Diagrams are a guide only final fitting should be made with actual product