

- 63L Gross Capacity
- 4 Cooking Functions incl. Fan Forced
- Powerful 2000W Closed Door Grilling
- Fully Programmable Electronic Timer
- Temperature Range 50-250°C
- Rear 25W Halogen Lighting
- Wide Viewing Door
- Door and Oven Cooling System
- Double Glazed Oven Door
- Removable Full Glass Oven Door
- Sturdy Hinges with soft closing system
- Anti-Tip Shelving
- Durastone Plus Enamel
- Included Accessories:
 - 1 Wire Rack
 - 1 Roasting/Grilling Tray
 - 1 Grill Rack



Large 63L Cavity

A convenient 63L cavity with 4 shelf heights for flexibility.



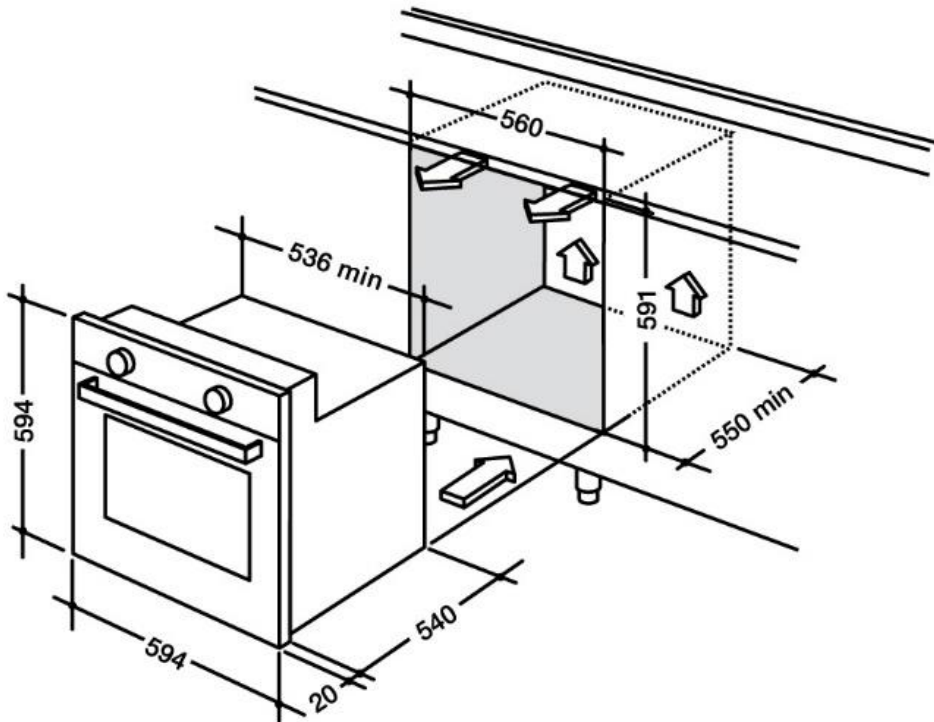
Durastone Plus Enamel

The oven cavity is made from our Durastone Plus enamel. This enamel has a higher glass content. The smooth surface reduces fat and oil build up. Cleaning is as quick as a wipe with a cloth soaked in a small amount of dishwashing liquid after each use.



Powerful 2000W Grilling

Closed door grilling with up to 2000W for fast crispy foods.



TECHNICAL SPECIFICATIONS

Product Dimensions (H x W x D)	mm	594 x 594 x 560
Gross Oven Capacity	L	63
Temperature Range	°C	50-250
Voltage	V	220-240
Rated voltage/Frequency	V~Hz	220-240/50
Current	A	9.8
Lighting	W	25W Halogen
Grilling Power	W	2000
Fan Element Power	W	2200
Total Wattage	W	2250
Warranty		2 years

The product dimensions and specifications on this page apply to the specific product and model at the time of issue. These dimensions and specifications may change at any time.

*Diagrams are a guide only. Final fittings should be made with actual product.