

- 63L Gross capacity
- 4 Cooking functions
- Electronic fully programmable timer
- Full glass double glazed door
- 4 shelf levels
- Rear halogen light
- Durastone plus enamel
- Stainless steel fat filter
- Door and oven cooling system
- Anti tip shelving
- Powerful 2000W grilling
- Included Accessories:
  - 1 Wire Rack
  - 1 Roasting and Grilling Tray
  - 1 Grill Rack & Handles



Light



Fan Forced



Grill



Fan Grill



Defrost



### 63L Oven Capacity

Quality stainless steel interior with a large 63L capacity to suit most dish types.



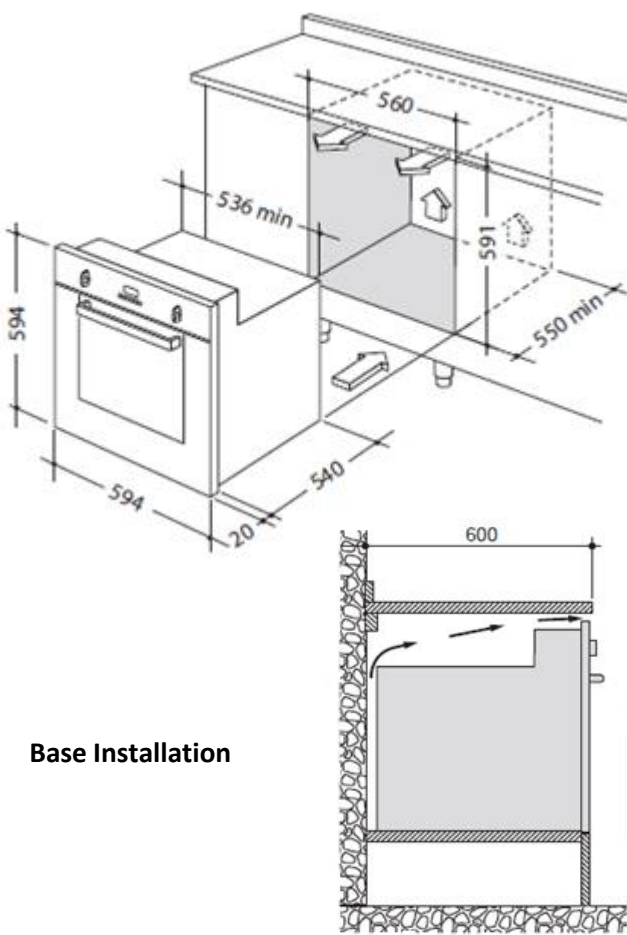
### Durastone Plus Enamel

The oven cavity is made from our Durastone Plus enamel. This enamel has a higher glass content. The smooth surface reduces fat and oil build up. Cleaning is as quick as a wipe with a cloth soaked in a small amount of dishwashing liquid after each use.

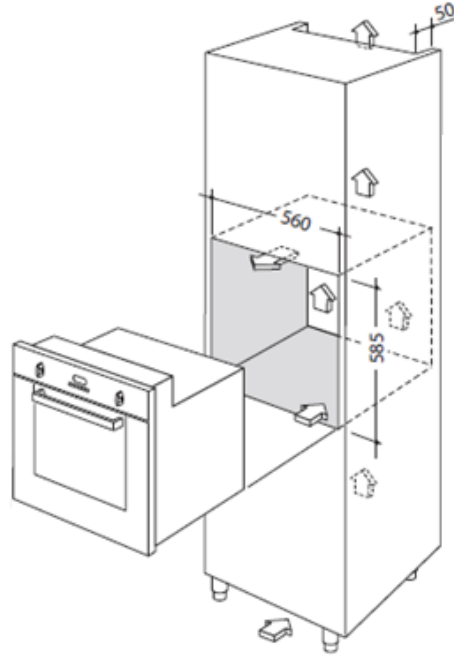


### Powerful 2000W Grilling

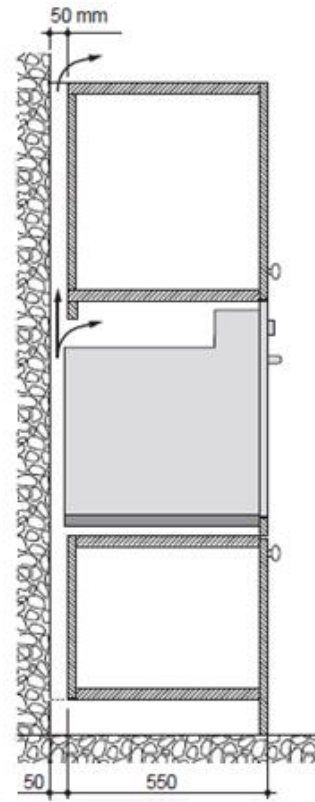
Closed door grilling with up to 2000W for fast crispy foods.



Base Installation



Column Installation



## TECHNICAL SPECIFICATIONS

Product Dimensions (H x W x D)	mm	594 x 594 x 560
Gross Oven Capacity	L	63
Net Oven Capacity	L	59
Temperature Range	°C	50-250
Voltage	V	220-240
Current	A	9.78
Lighting	W	1 x 25W Halogen
Grilling Power	W	2000
Top Element Power	W	-
Fan Element Power	W	2200
Bottom Element Power	W	-
Total Wattage	W	2250
Warranty		2 Years

The product dimensions and specifications on this page apply to the specific product and model at the time of issue. These dimensions and specifications may change at any time.

\*Diagrams are a guide only. Final fittings should be made with actual product.