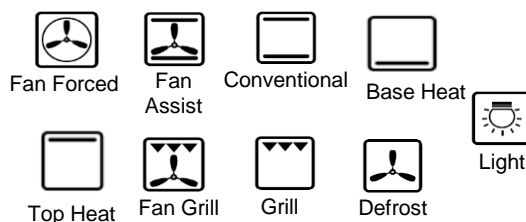


- XXL 85L Gross capacity
- 8 Cooking functions + Light
- Fully Programmable Electronic Timer
- Full glass double glazed door
- 6 shelf levels
- Dual Lateral Halogen Lights
- Easy Clean Durastone plus enamel
- Stainless Steel Fat filter
- Door and oven cooling system
- Anti tip shelving
- Powerful 2000W grilling
- Included Accessories:
 - 1 Wire Rack
 - 1 Space Saver Rack
 - 1 Baking Tray
 - 1 Grill Rack Insert
 - 1 Delicious Recipe Book



85L Gross Oven Capacity

, perfect for large families or those that love to entertain.



Durastone Plus Enamel

The oven cavity is made from our Durastone Plus enamel. This enamel has a higher glass content. The smooth surface reduces fat and oil build up for an easier clean.



Multilevel Cooking

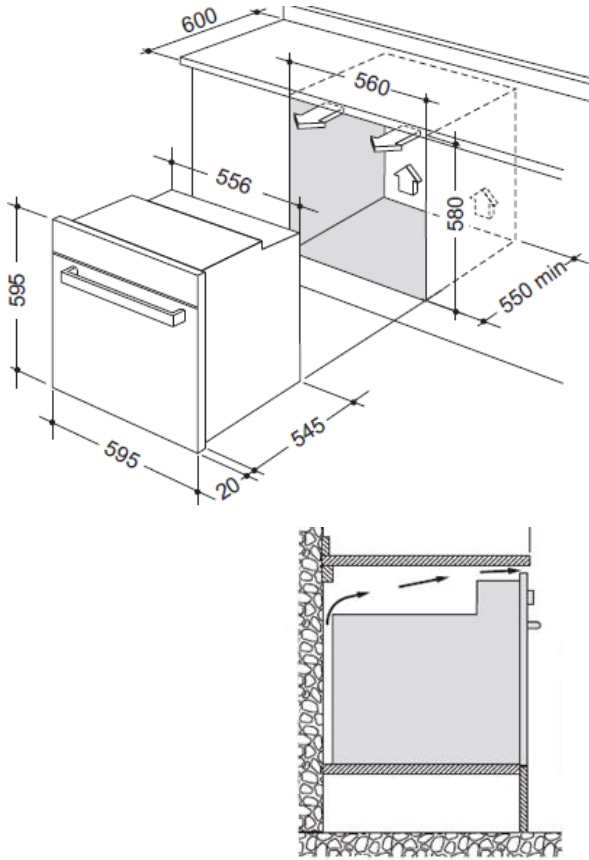
Featuring 6 Shelf levels and 3D Cooking, various types of dishes can be cooked together to save on time, but not on performance.



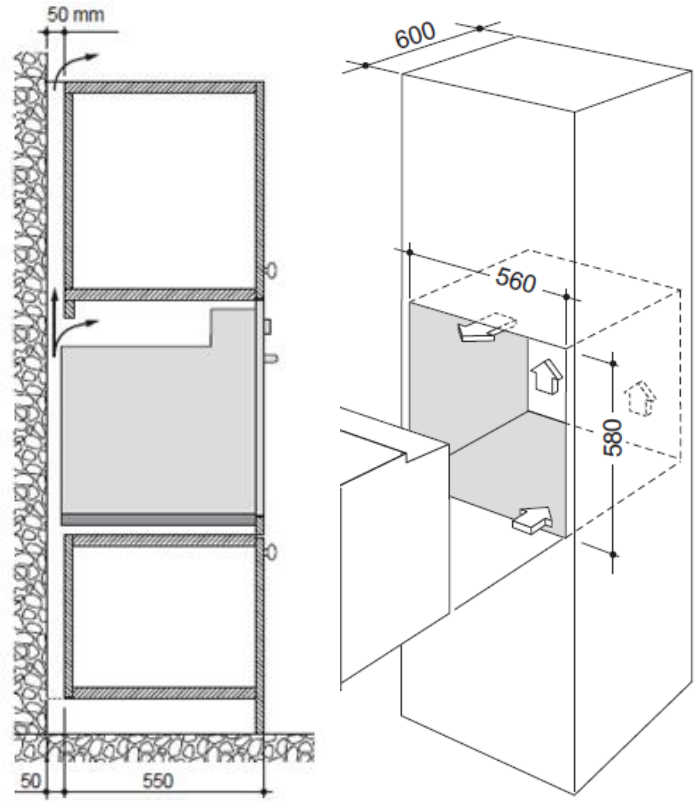
Powerful 2000W Grilling

Closed door grilling with up to 2000W for fast crispy foods.

Base Installation



Column Installation



TECHNICAL SPECIFICATIONS

Product Dimensions (H x W x D)	mm	594 x 594 x 560
Gross Oven Capacity	L	85
Net Oven Capacity	L	74
Temperature Range	°C	50-250
Voltage	V	220-240
Current	A	11.3 A
Lighting	W	2 x 25W Halogen
Grilling Power	W	2000
Top Element Power	W	1000
Fan Element Power	W	2500
Bottom Element Power	W	1200
Total Wattage	W	2600
Warranty		2 Years

The product dimensions and specifications on this page apply to the specific model at the time of issue. Dimensions & specifications may change at any time.

*Diagrams are a guide only. Final fittings should be made with actual product.