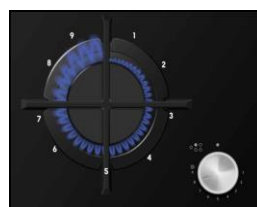


NSL 590D NCM

90cm 5 Burner Life Gas On Glass Cooktop

5 Burner gas cooktop including:

- 3,8 kW Double ring burner
- Instant automatic ignition
- Simmer control for low heat cooking
- Heavy-Duty cast iron trivets
- Flame Failure safety cut-off on all burners
- Thermal shock resistant ceramic glass
- Contemporary black glass finish
- Suitable for LPG or Nat Gas (Conversion kit included)



Cast Iron Trivets

Cast iron pan supports provide stability for pots and pans. They are easy to clean and long lasting

Double Ring Burner

A powerful double ring burner provides heat from two fire crowns even heat distribution, making it perfect for wok cooking.

Instant Ignition

With just the push of the knob, an electronic device causes a continuous series of sparks to quickly and easily ignite the selected burner.

Precision Control

Go from simmering to fast boil, by using 9 levels of flame control. Accurate selection of the right flame for each recipe

Contemporary frameless black glass design

A low-profile cooktop designed to integrate into any workbench.

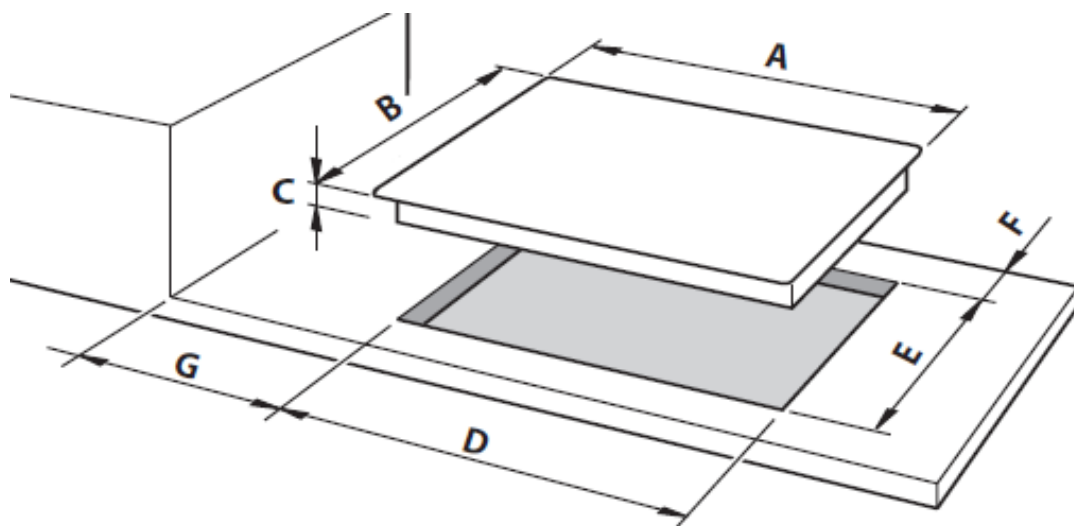
TECHNICAL SPECIFICATIONS

Product Dimensions (H x W x D)	mm	54 x 900 x 510
Front Left Auxiliary Burner – LPG / Nat Gas	MJ/h	4.20 / 4.20
Rear Left Semi-Rapid Burner - LPG / Nat Gas	MJ/h	6.2 / 6.6
Rear Right Semi-Rapid Burner – LPG / Nat Gas	MJ/h	6.2 / 6.6
Front Right Rapid Burner – LPG / Nat gas	MJ/h	10.78 / 11.75
Centre Left Double Ring – LPG / Nat Gas	MJ/h	14.10 / 13.70
Total Gas Consumption – LPG	MJ/h	41.48
Total Gas Consumption – Natural	MJ/h	42.85
Warranty		2 years

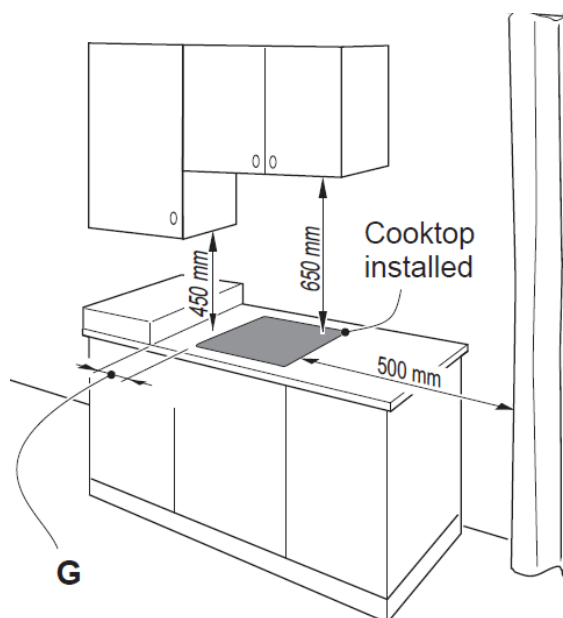


NSL 590D NCM

90cm 5 Burner Life Gas On Glass Cooktop



Description	Measures (mm)						
	A	B	C	D	E	F (minimum)	G (minimum)
Model NSL 590D NCM	900	510	54 (*)	840	480	60 (**)	200 (***)



The product dimensions and specifications on this page apply to the specific model at the time of issue
Dimensions & specifications may change at any time.



Diagrams are a guide only final fitting should be made with actual product