

NSL 460 X

60cm 4 Burner Life Slimline Gas Cooktop

4 burner gas cooktop including:

- o Instant Automatic Ignition
- o Simmer Control for low heat cooking
- o Heavy-Duty cast iron trivets
- o Flame Failure safety cut-off on all burners
- o Recessed base to catch spills
- o Stainless steel slimline design
- o Suitable for LPG or Nat Gas (Conversion kit included)



Cast Iron Trivets

Cast iron pan supports provide stability for pots and pans. They are easy to clean and long lasting, providing a professional look for years to come.



Instant Ignition

With just the push of the knob, an electronic device causes a continuous series of sparks to quickly and easily ignite the selected burner.



Sleek Slim Line Design

A low-profile cooktop designed to integrate into any workbench.

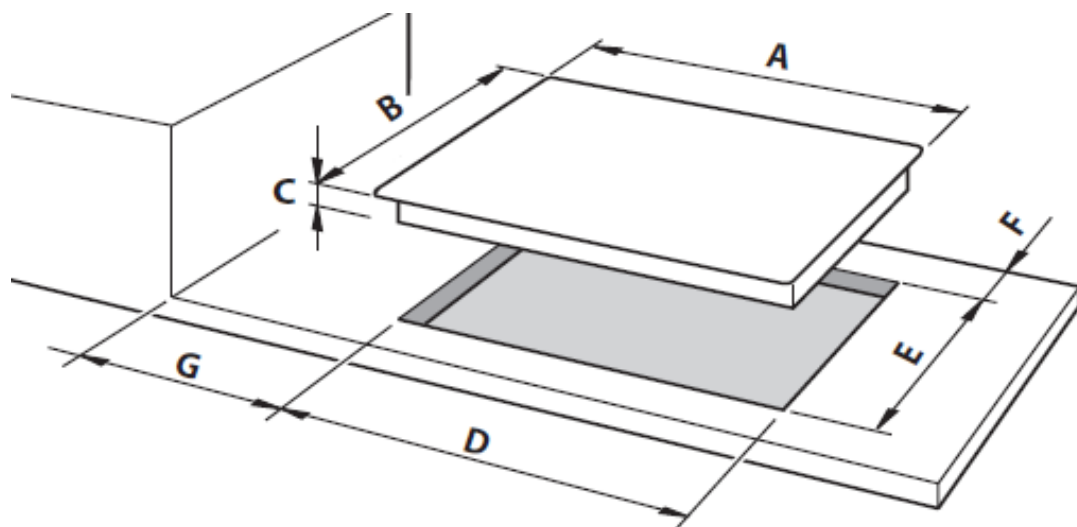
TECHNICAL SPECIFICATIONS

Product Dimensions (H x W x D)	mm	49 x 600 x 510
Front Right Auxiliary Burner – LPG / Nat Gas	MJ/h	4.20 / 4.20
Rear Left Semi-Rapid Burner - LPG / Nat Gas	MJ/h	6.2 / 6.5
Rear Right Semi-Rapid Burner – LPG / Nat Gas	MJ/h	6.2 / 6.5
Front Left Double Ring Compact – LPG/ Nat Gas	MJ/h	9.60/10.70
Total Gas Consumption – LPG	MJ/h	26.20
Total Gas Consumption – Natural	MJ/h	27.90
Warranty		2 years

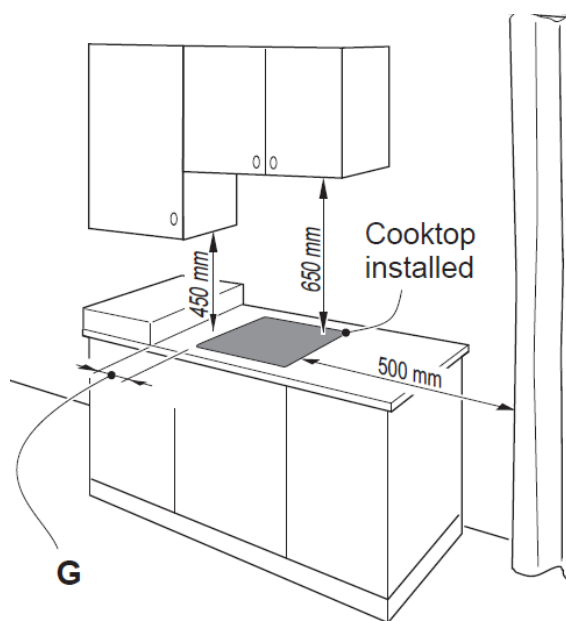


NSL 460 X

60cm 4 Burner Life Slimline Gas Cooktop



Description	Measures (mm)						
	A	B	C	D	E	F (minimum)	G (minimum)
Model NSL 460 X	600	510	49 (*)	560	480	60 (**)	200 (***)



The product dimensions and specifications on this page apply to the specific model at the time of issue
 Dimensions & specifications may change at any time.



Diagrams are a guide only final fitting should be made with actual product