

NSM 11 XL

60cm 85L 11 Function Built-In Life Oven

- 85L Gross capacity
- 11 Cooking functions including Easy Steam & Air Fry
- Fully programmable electronic timer
- Turbo Boost
- Full glass double glazed door
- 7 shelf levels
- 1 rear halogen light
- 1 set of telescopic runners
- Idroclean
- Door and oven cooling system
- Anti-tip shelving
- Powerful 2200W grilling

Included Accessories:

- 1 Wire Rack, 1 Air Fry Basket, 1 Baking Tray, 1 Grill Rack Insert



Easy Steam

The combination of moisture and heat help to retain the nutrients of the food.



85L Gross Oven Capacity

Perfect for large families or those that love to entertain.

Air Fry

Using little to no oil, your favourite fried foods can be enjoyed guilt free.

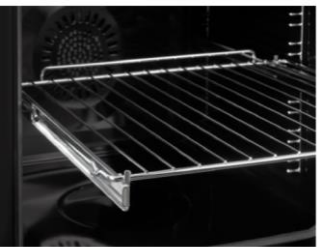


Multilevel Cooking

Various types of dishes can be cooked together with no flavour transfer.

Telescopic Runners

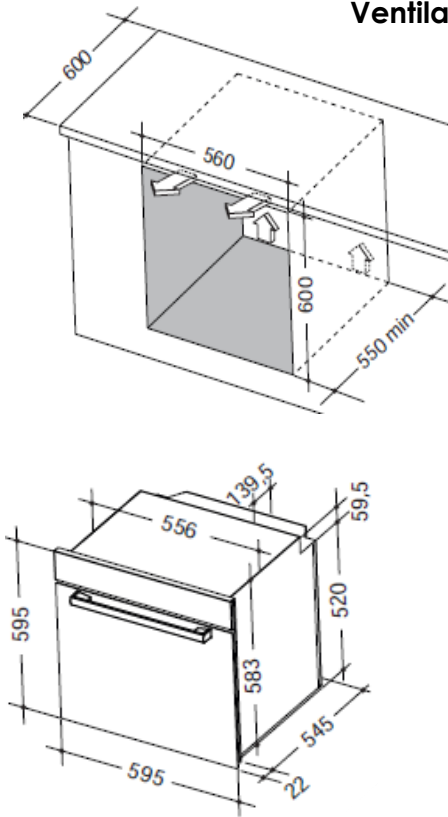
Allows easier access to cooking, holding up to 15kg.



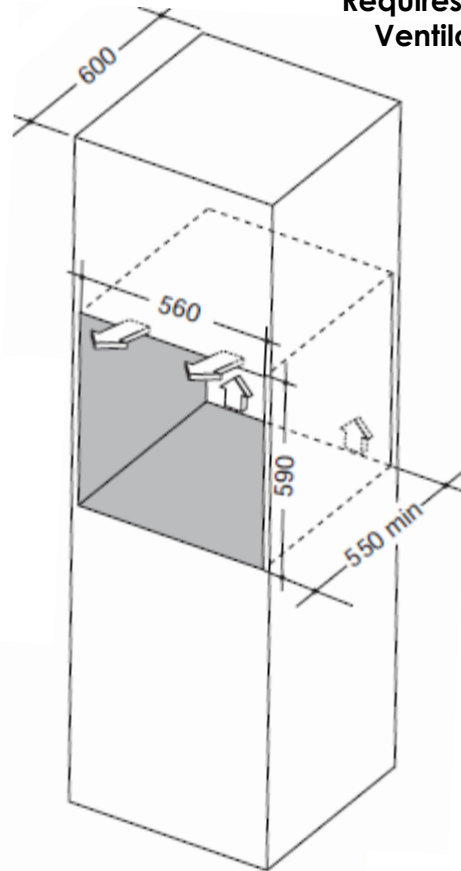
Idroclean

Allows you to clean your oven without using any harsh chemicals or detergents.

**Base Installation
Requires 30mm
Ventilation**



**Column Installation
Requires 50mm
Ventilation**



TECHNICAL SPECIFICATIONS

Product Dimensions (H x W x D)	mm	595 x 595 x 566
Gross Oven Capacity	L	85
Net Oven Capacity	L	74
Temperature Range	°C	50-250
Voltage	V	220-240
Current	A	11.3 A
Lighting	W	1 x 25W Halogen
Grilling Power	W	2200
Top Element Power	W	1000
Fan Element Power	W	1800
Bottom Element Power	W	1000
Total Wattage	W	2900
Warranty		2 Years

*The product dimensions and specifications on this page apply to the specific model at the time of issue.
Dimensions & specifications may change at any time.*

**Diagrams are a guide only. Final fittings should be made with actual product.*