

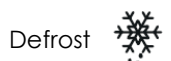
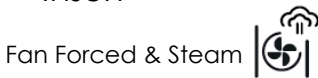
# NSM 9 NL

## 60cm 85L 9 Function Built-In Life Oven

- 85L Gross capacity
- 9 Cooking functions including Easy Steam
- Fully programmable Electronic Timer
- Turbo Boost
- Full glass double glazed door
- 7 shelf levels
- 1 rear Halogen Light
- Idroclean
- Door and oven cooling system
- Anti-tip shelving
- Powerful 2200W grilling

### Included Accessories:

- 1 Wire Rack, 1 Baking Tray, 1 Grill Rack Insert



### Easy Steam

The combination of moisture and heat help to retain the nutrients of the food.



### Multilevel Cooking

Various types of dishes can be cooked together with no flavour transfer



### 85L Gross Oven Capacity

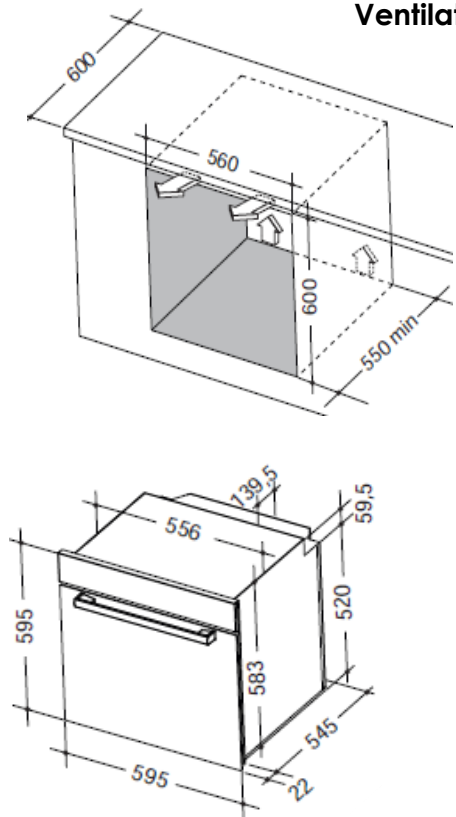
Perfect for large families or those that love to entertain.



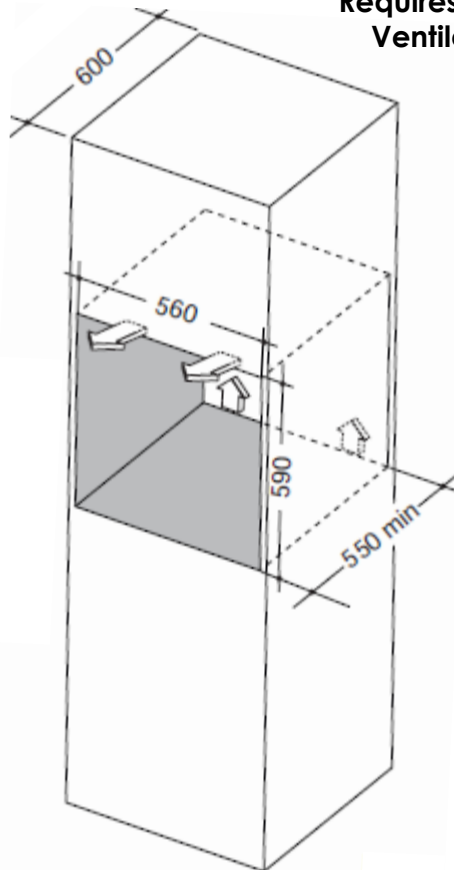
### Idroclean

Allows you to clean your oven without the use of harsh chemicals or detergents

**Base Installation  
Requires 30mm  
Ventilation**



**Column Installation  
Requires 50mm  
Ventilation**



## TECHNICAL SPECIFICATIONS

Product Dimensions (H x W x D)	mm	595 x 595 x 566
Gross Oven Capacity	L	85
Net Oven Capacity	L	74
Temperature Range	°C	50-250
Voltage	V	220-240
Current	A	11.3 A
Lighting	W	1 x 25W Halogen
Grilling Power	W	2200
Top Element Power	W	1000
Fan Element Power	W	1800
Bottom Element Power	W	1000
Total Wattage	W	2900
Warranty		2 Years

*The product dimensions and specifications on this page apply to the specific model at the time of issue.  
Dimensions & specifications may change at any time.*

*\*Diagrams are a guide only. Final fittings should be made with actual product.*