

NSM 90 N

90cm 100L 8 Function Built-In Life Oven

- o 100L gross capacity
- o 8 cooking functions
- o 2400W closed door grilling
- o Included telescopic shelf
- o Fully programmable electronic touch timer
- o Dual rear 25W halogen lighting
- o Wide viewing door
- o Door and oven cooling system
- o Double glazed oven door
- o Removable full glass oven door
- o Sturdy hinges with soft closing system
- o Anti-Tip shelving
- o Stainless steel oven fan filter
- o Drop down grill for cleaning



Included Accessories:

- o 1 Wire Rack, 1 Roasting/Grilling Tray, 1 Grilling Rack + 2 Handles, 1 Stainless Steel Fan Filter, 1 Air Fry tray

Fan Forced



Fan Assist



Conventional



Top Heat



Fan Grill



Grill



Base Heat



Defrost



Air Fry Tray

Using little to no oil, your favourite fried foods can be enjoyed guilt free.



Telescopic Runners

Allows easier access to cooking, holding up to 15kg.



Multilevel Cooking

3D Cooking, various types of dishes can be cooked together to save on time, but not on performance.



Removable Cool Glass Door

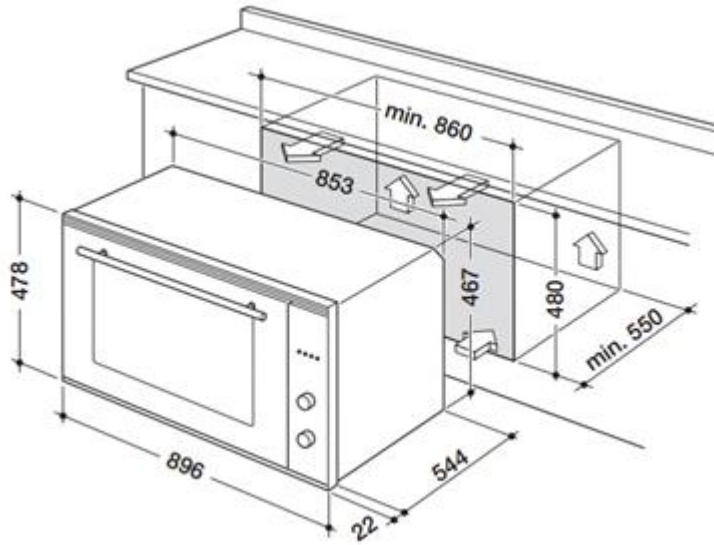
Keeps the outside of the oven cool and safe to touch. Easy removal when cleaning is needed.

DeLonghi

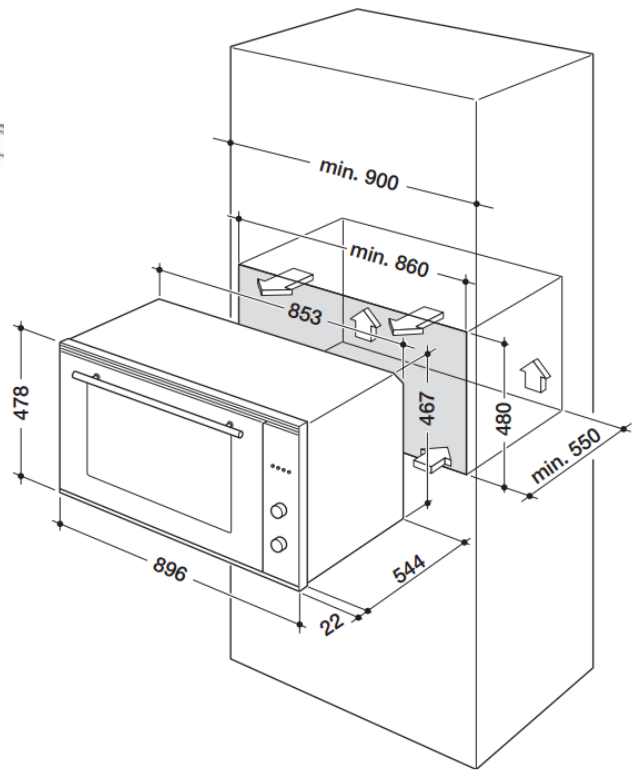
NSM 90 N

90cm 100L 8 Function Built-In Life Oven

Base Installation



Column Installation



TECHNICAL SPECIFICATIONS

Product Dimensions (H x W x D)	mm	478 x 896 x 566
Gross Oven Capacity	L	100L
Temperature Range	°C	50-250
Voltage	V	220-240
Current	A	13.26
Lighting	W	2 x 25W Halogen
Grilling Power	W	2400
Top Element Power	W	1200
Fan Element Power	W	2200
Bottom Element Power	W	1750
Total Wattage	W	3050
Warranty		2 Years

The product dimensions and specifications on this page apply to the specific model at the time of issue.
Dimensions & specifications may change at any time.

*Diagrams are a guide only. Final fittings should be made with actual product.

