

DCO 5 XL

60cm 4 Function Built-In Oven

- 80L gross capacity
- 4 functions
- Closed door grilling
- Fully programmable timer
- Rear 25W halogen lighting
- Wide viewing door
- Oven cooling system
- Double glazed oven door
- Easy Clean Enamel
- Removable full glass oven door

Included Accessories:

- 1 Wire Rack, 1 Roasting/Grilling Tray



Fan Grill



Fan Forced



Grill



Defrost



Multilevel Cooking

Featuring 5 Shelf levels and 3D Cooking, various types of dishes can be cooked together to save on time, but not on performance.



Easy Clean Enamel

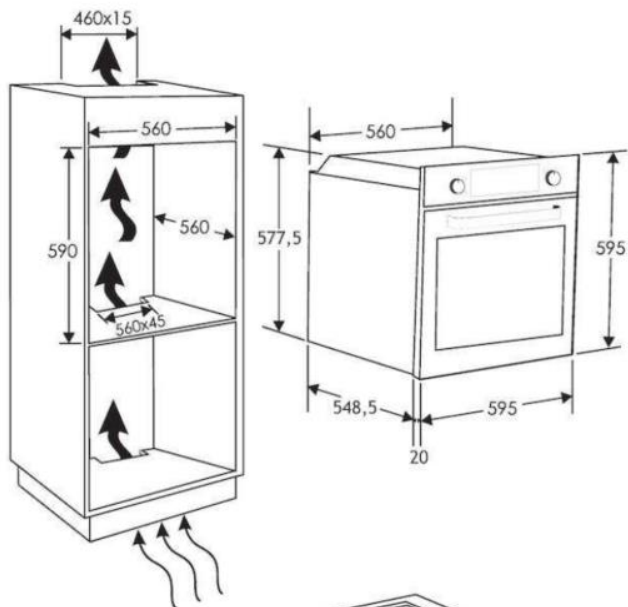
The smooth surface reduces fat and oil build up. Cleaning is as quick as a wipe with a cloth soaked in a small amount of dishwashing liquid after each use.



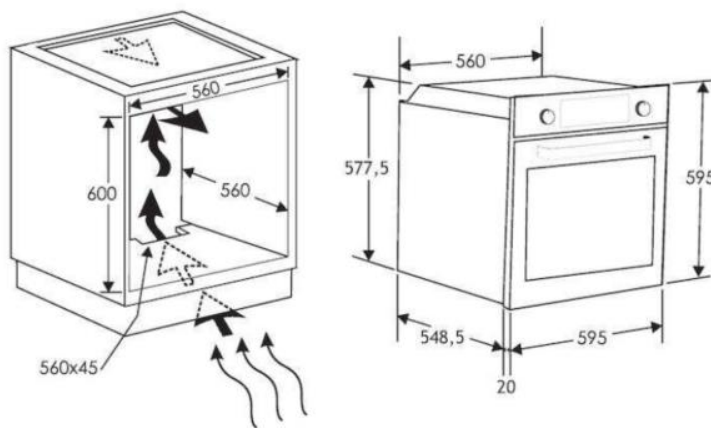
Powerful 2000W Grilling

Closed door grilling with up to 2000W for fast crispy foods.

Base Installation



Column Installation



TECHNICAL SPECIFICATIONS

Product Dimensions (H x W x D)	mm	595 x 595 x 568.5
Gross Oven Capacity	L	80
Net Oven Capacity	L	70
Temperature Range	°C	50-250
Voltage	V	220-240
Lighting	W	1 x 25W Halogen
Grilling Power	W	2000
Warranty		2 Years

The product dimensions and specifications on this page apply to the specific model at the time of issue.
Dimensions & specifications may change at any time.

*Diagrams are a guide only. Final fittings should be made with actual product.