

## 60cm 7 & 2 Function Built-In Life Double Oven

- 7 / 2 cooking functions
- Closed door grilling x 2
- Included telescopic shelves (Bottom oven only)
- Fully programmable electronic timer
- Temperature range 50-250°C
- Wide viewing doors
- Main oven halogen flood light
- Door and oven cooling system
- Triple glazed lower, double glazed upper doors
- Anti-Tip shelving
- Easy to clean enamel in both ovens' cavities
- Reversible oven side catalytic liners in main oven
- Removable full glass oven door in both ovens
- Stainless steel oven fan filter in main oven
- Drop down grill for cleaning in main oven

### Included Accessories:

- 2 Wire Racks, 1 Set of Telescopic Shelves, 1 shaped Rack, 1 Roasting/Grilling Tray, 1 Grilling Rack with 2 Handles, 1 Stainless Steel Filter



### Main Oven



Fan Forced



Fan Assist



Conventional



Top Element  
&  
Fan Forced



Fan Grill



Grill



Defrost

### Upper Oven



Conventional



Grill



### Easy to clean Enamel

This enamel has a higher glass content, making it easier to clean.



### Telescopic Runners

Allows easier access to cooking, holding up to 15kg.



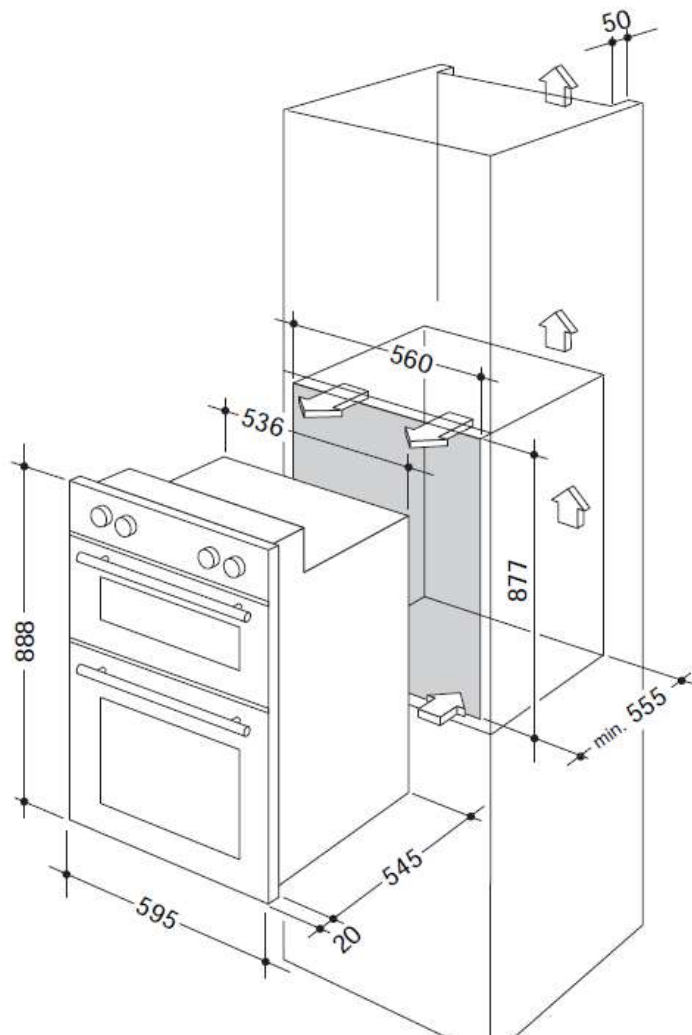
### Multilevel Cooking

3D Cooking, various types of dishes can be cooked together to save on time, but not on performance.



### Removable Cool Glass Door

Keeps the outside of the oven cool and safe to touch. Easy removal when cleaning is needed.



### TECHNICAL SPECIFICATIONS

Product Dimensions (H x W x D)	mm	888 x 595 x 565
Gross Oven Capacity (Top / Bottom)	L	42L +72L
Temperature Range	°C	50-250
Voltage	V	220-240
Current	A	19.3
Lighting	W	3 x 25W Halogen
Grilling Power (Top / Bottom)	W	2000 / 2000
Top Element Power (Top / Bottom)	W	700 / 1000
Fan Element Power (Bottom)	W	2200
Bottom Element Power (Top / Bottom)	W	1000 / 1300
Total Wattage	W	4300
Warranty		2 years

The product dimensions and specifications on this page apply to the specific model at the time of issue. Dimensions & specifications may change at any time.

\*Diagrams are a guide only. Final fittings should be made with actual product.