

PVC 61 SK

60cm 4 Zone Radiant Ceramic Cooktop

- 4 Zone
- 12 Power Levels per Zone
- Convenient side control Knobs
- Double Zone
- Residual Heat Indicators
- Thermal shock resistant ceramic glass
- Easy to clean frameless glass



Ceramic Cooking

The heating element is formed of a coil of resistant material which reaches the working temperature Quickly.

Easy to clean with simple minimalistic design.



Residual Heating

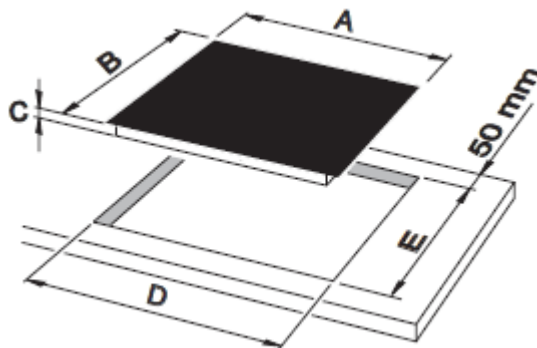
A residual heat indicator will light up when a cooktop zone heats up, and stay lit until it has cooled to a safe touch temperature.

TECHNICAL SPECIFICATIONS

Product Dimensions (H x W x D)	mm	50 x 600 x 520
Voltage	V	220-240
Current	A	25.65
Left Front 140mm	W	1200
Left Rear Double 180/120	W	1700/700
Right Front 180 mm	W	1800
Right Rear 140 mm	W	1200
Total Power Consumption	W	5900
Warranty		2 years

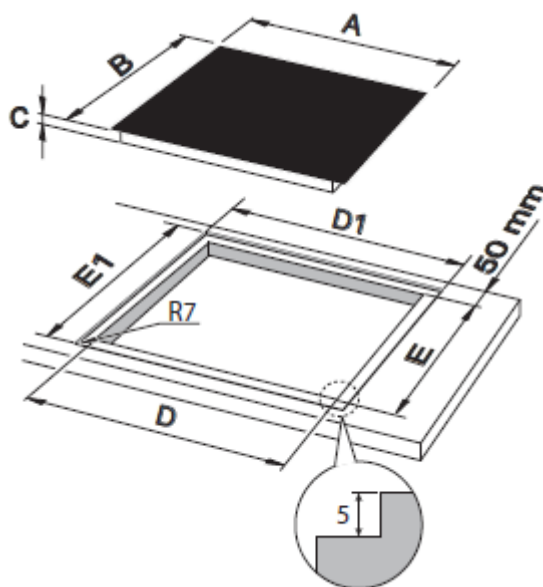


Standard Installation



Flush Installation

If you wish to install the hob flush with the work surface, it is necessary to execute/carry out a milling in the hole of the cut-out as indicated



Description	Measures (mm)						
	A (*)	B (*)	C (**)	D	D1	E	E1
60cm wide models	600	520	50 or 55 for flush installation	560	605	480	525

(*) For models with metal trim/s add 4mm to the measurement for each trim.
Example: front metal trim= B+4mm.

(**) from the top of countertop to bottom of cooktop.

The product dimensions and specifications on this page apply to the specific model at the time of issue
Dimensions & specifications may change at any time.