

90cm Undermount Range Hood

- 3 Fan Speeds
- Maximum Air Flow 810m³/hr
- Spigot Exhaust Outlet Diameter 150mm
- Suitable for Ducted Mode
- Optional Carbon Filters (02859398) available for recirculating
- Stainless Steel Finish
- Dishwasher Safe Aluminum Grease Filter
- Electronic Controls
- 15 Min Countdown Timer
- 2 x 3 W LED Lights

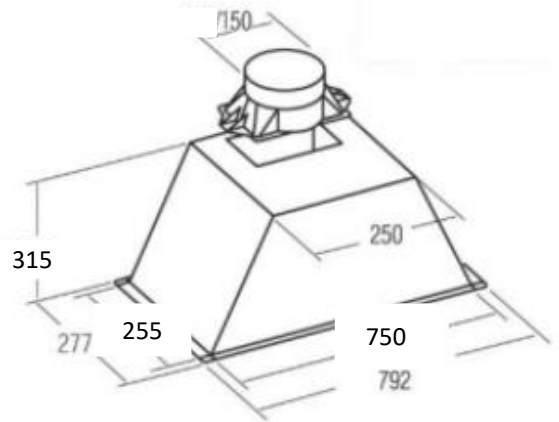


Led Lights

Are energy efficient and long lasting. They do not generate any heat or UV emissions (Replacement bulbs must be fitted by authorised technician)

Dishwasher Safe Filters

The aluminium mesh filters are designed to collect 98% of cooking related particles and can be placed in your dishwasher for easy cleaning.



TECHNICAL SPECIFICATIONS

Dimensions (H x W x D)	mm	315 X 792 x 277
Cut out dimensions (W X D)	mm	760 X 260
Voltage	V	220 – 240
Maximum Power	W	286
Speed 1/2/3	m ³ /h	360/605/810
Lighting	W	2 x 3 W LED
Min/Max Noise Level	dB (A)	45/61
Spigot Exhaust Outlet Diameter	mm	150
Warranty		2 Years